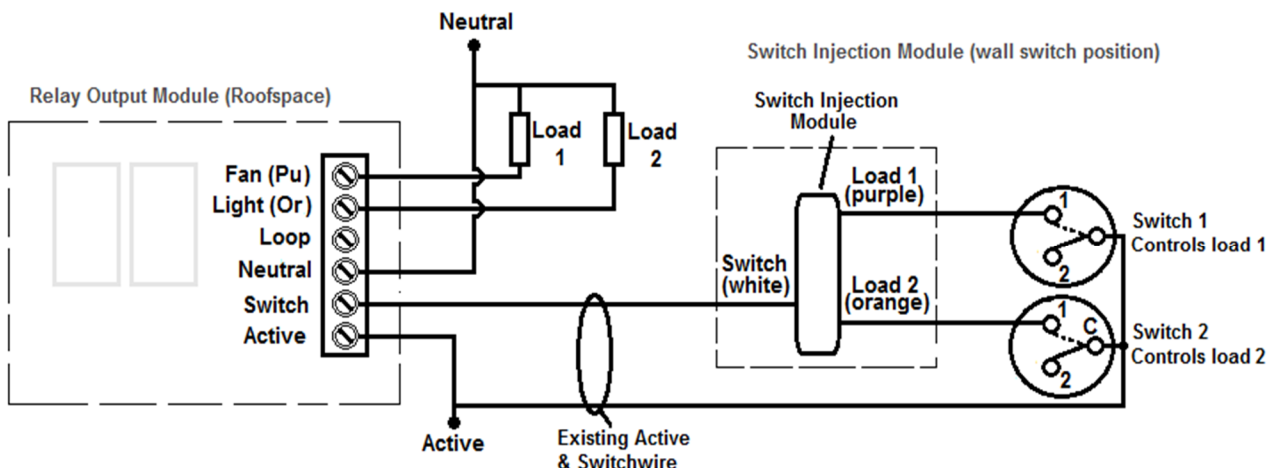


Fan Switching Module

The Fan Switching Module (Catalogue No FSM-02) provides a solution to the problem when a ceiling fan with a remote control is to be installed and a local switch is required by the fan manufacturer. Wireless remote controlled ceiling fans are often installed to overcome the problem of not being able to install a wall controller, only to have the manufacturer ask for a local switch over and above an all-pole disconnection device. The solution has been to use the existing light switch for this and operate the fan's light from the remote control. The fan switching module provides a solution by enabling the installer to switch two independent devices over a single switchwire.

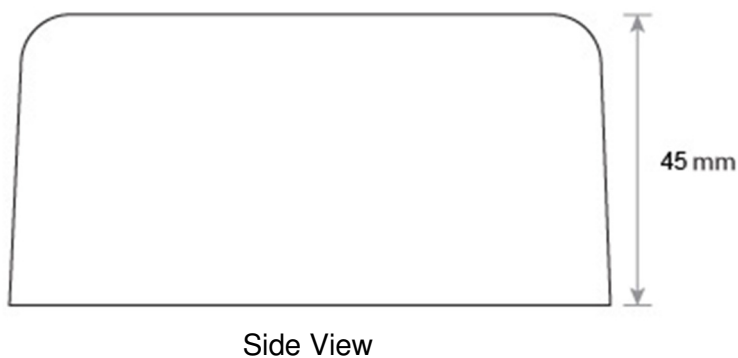
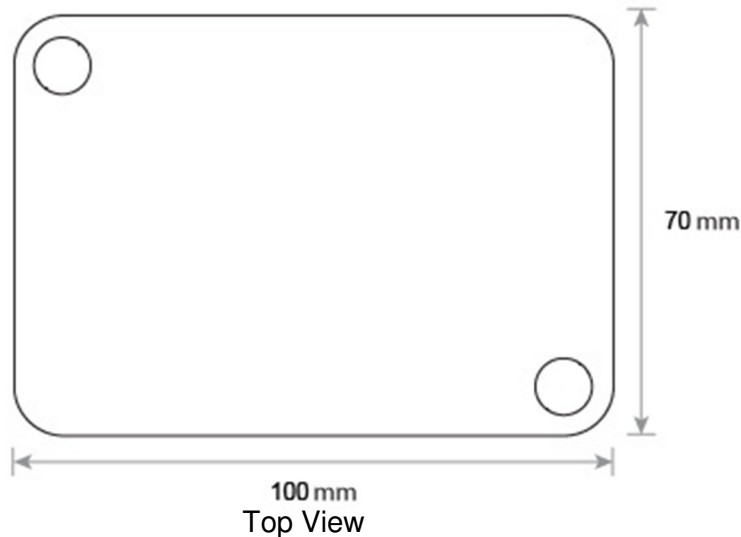
The Fan Switching Module comprises of two parts. The Switch Injection Module (located behind the switchplate on the wall) and the Relay Output Module (located in the ceiling space).



Specifications	
Catalogue No	FSM-02
Recommended Max. Load	2 Amps
Incandescent/Halogen	500 Watts
LED	120W
Motor Load	M2
CFL	1AX
Minimum Load	0W (No Minimum)
Operating Temperature	0-60°C
Operating Humidity	10-90% Non-Condensing
Connections	Screw terminals with clamping plates
Wire max (per terminal)	3 x 1.5mm ² 2 x 2.5mm ²
Includes	Relay Output Module Switch Injection Module 2 x cable ties for strain relief

Dimensions

Relay Output Module



Compliance

The Fan Switching Module has been tested to and complies with safety requirements for Australia and New Zealand AS/NZS3100 - Approval and test specification - General requirements for electrical equipment along with additional testing and compliance for motor rating to AS/NZS 3133:2013+A1-A2 clause 13.13).

To ensure compliance with AS/NZS3100 and AS3000 Wiring Rules, only use the cable entry cut-out adjacent to the terminal block on the side of the enclosure.

Warnings

Both switched loads must be on the same circuit and phase.

This device is not an isolation device and cannot be used in place of an isolation device. Where a manufacturer requires an isolation device to be fitted to the circuit, it is essential that the installing electrical worker ensures the appropriate isolation device is installed in addition to this product.